

MGL INC. ENGINEERING

WORKING POSITION



6' x 16' PORTABLE WASH PLANT



TYPICAL PORTABLE WASH PLANT SYSTEM



FOR ALL OF YOUR MATERIAL HANDLING AND WASHING NEEDS VISIT OUR WEBSITE OR CALL:

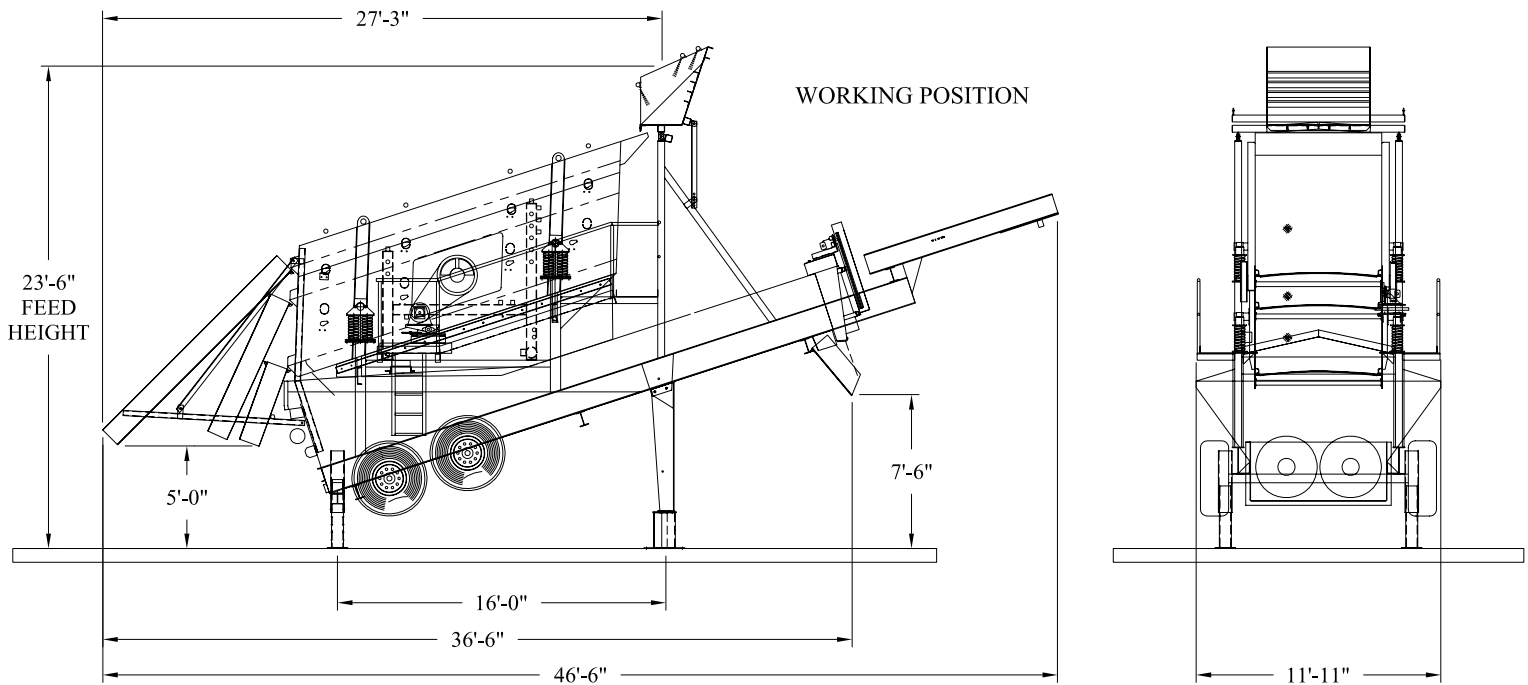
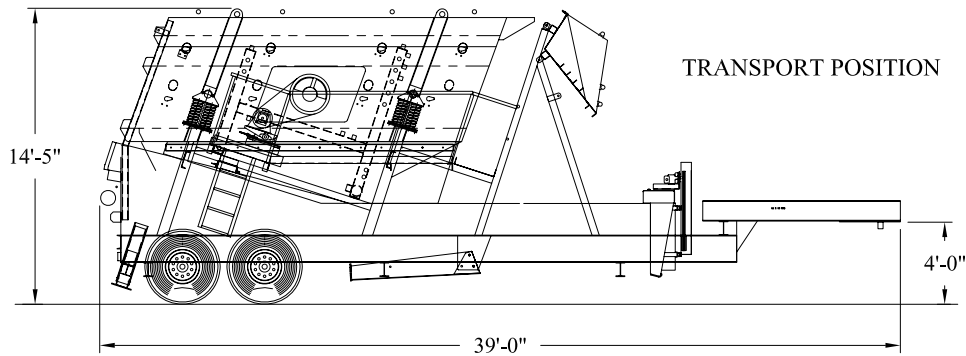
www.mglengineering.com

863-648-0320

WASH PLANT SPECIFICATIONS

6' X 16' 3-DECK INCLINED SCREENBOX
 WIRE MESH SCREENS - SIDE TENSION
 TWIN 36" SAND SCREW
 HEAVY DUTY WIDE FLANGE BEAM CHASSIS
 DUAL AXLES WITH 4 SUPER-SINGLE TIRES
 HYDRAULIC OR ELECTRIC DRIVE

HIGH FLOW WATER MANIFOLD & SPRAY PIPES
 ADJUSTABLE WASH BOX
 INTEGRATED MAINTENANCE PLATFORMS
 SIDE DISCHARGE HINGED CHUTES
 OPTIONAL ROLL-AWAY CHUTES
 OPTIONAL URETHANE SCREENS



6' x 16' PORTABLE WASH PLANT

MGL ENGINEERING INC.

2740 Parkway Street
 Lakeland, FL 33811

863-648-0320 Ph.
 863-648-0589 Fax

e-mail: mgleng1@aol.com
www.mglengineering.com