

**MGL
CONVEYORS**



We have the solutions to all your material handling problems.



“Our specialty is designing and building equipment to satisfy our customers’ specific needs.”

FOR ALL OF YOUR MATERIAL HANDLING AND SCREENING NEEDS VISIT OUR WEBSITE OR CALL:

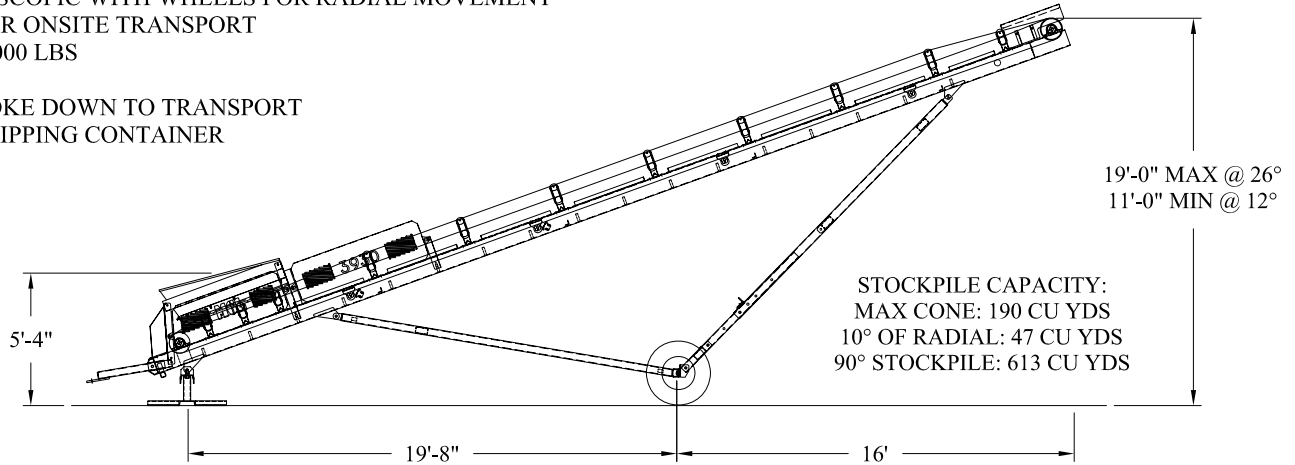
www.mglengineering.com

863-648-0320

STACKER SPECIFICATIONS

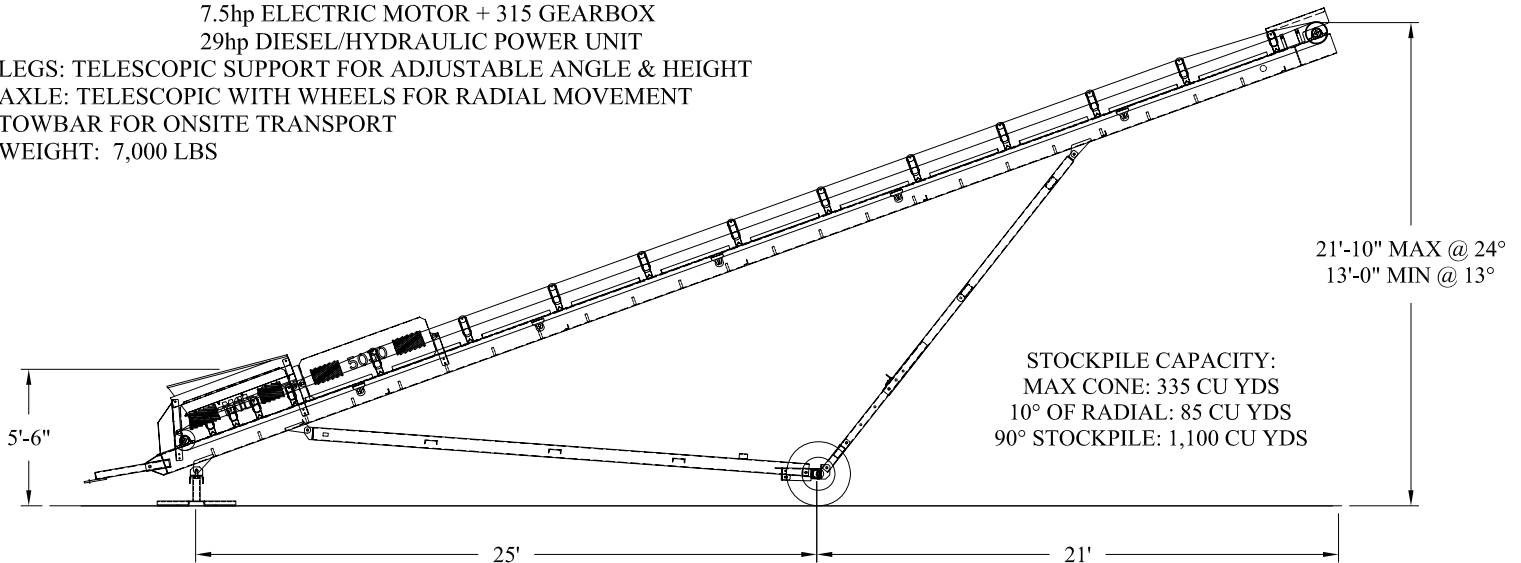
CONVEYOR LENGTH: 39'-0"
 TRANSPORT WIDTH: 8'-3"
 BELT WIDTH: 30"
 POWER OPTIONS: HYDRAULIC COUPLING
 5hp ELECTRIC MOTOR + 315 GEARBOX
 29hp DIESEL/HYDRAULIC POWER UNIT
 LEGS: TELESCOPIC SUPPORT FOR ADJUSTABLE ANGLE & HEIGHT
 AXLE: TELESCOPIC WITH WHEELS FOR RADIAL MOVEMENT
 TOWBAR FOR ONSITE TRANSPORT
 WEIGHT: 6,000 LBS

CAN BE BROKE DOWN TO TRANSPORT
 IN A SHIPPING CONTAINER



MGL 3930 RADIAL STACKER

CONVEYOR LENGTH: 50'-0"
 TRANSPORT WIDTH: 8'-6"
 BELT WIDTH: 30"
 POWER OPTIONS: HYDRAULIC COUPLING
 7.5hp ELECTRIC MOTOR + 315 GEARBOX
 29hp DIESEL/HYDRAULIC POWER UNIT
 LEGS: TELESCOPIC SUPPORT FOR ADJUSTABLE ANGLE & HEIGHT
 AXLE: TELESCOPIC WITH WHEELS FOR RADIAL MOVEMENT
 TOWBAR FOR ONSITE TRANSPORT
 WEIGHT: 7,000 LBS



MGL 5030 RADIAL STACKER



2740 Parkway Street
 Lakeland, FL 33811

863-648-0320 Phone
 863-648-0589 Fax

e-mail: mgleng1@aol.com
www.mglengineering.com

**MGL 39' X 30" RADIAL STACKER
ELECTRIC DRIVE**



(2) 3930's in a shipping container



MGL 50' X 30" RADIAL STACKER



**MGL 3930 & MGL 5030
RADIAL STACKERS**

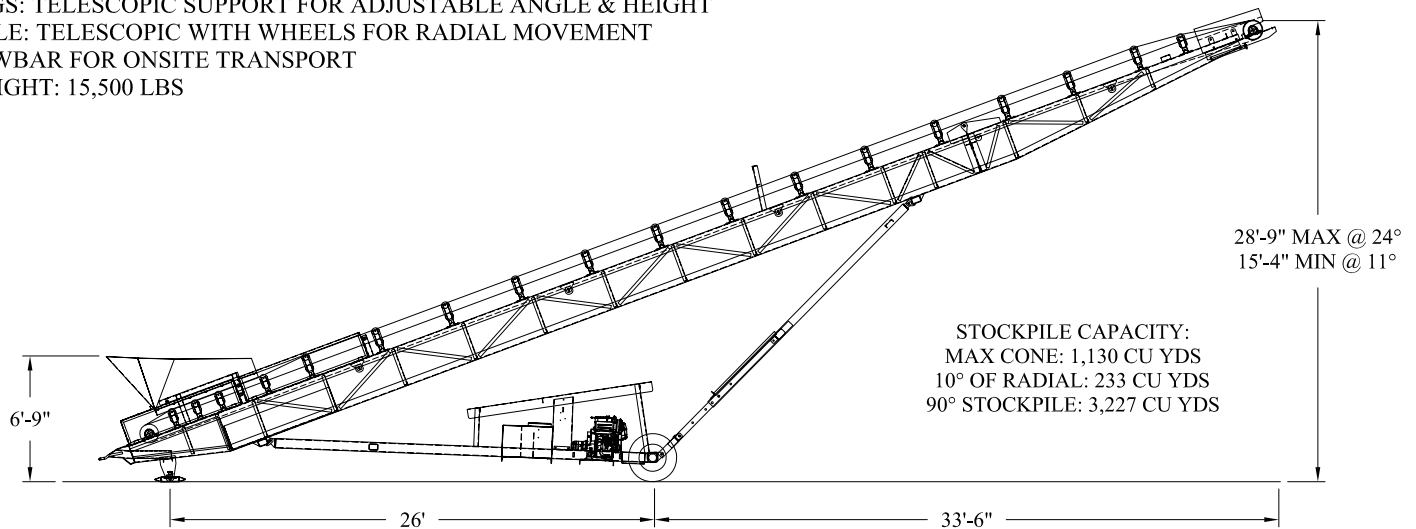


**MGL 50' X 30" RADIAL STACKER
HYDRAULIC COUPLING WITH WHEEL DRIVE**



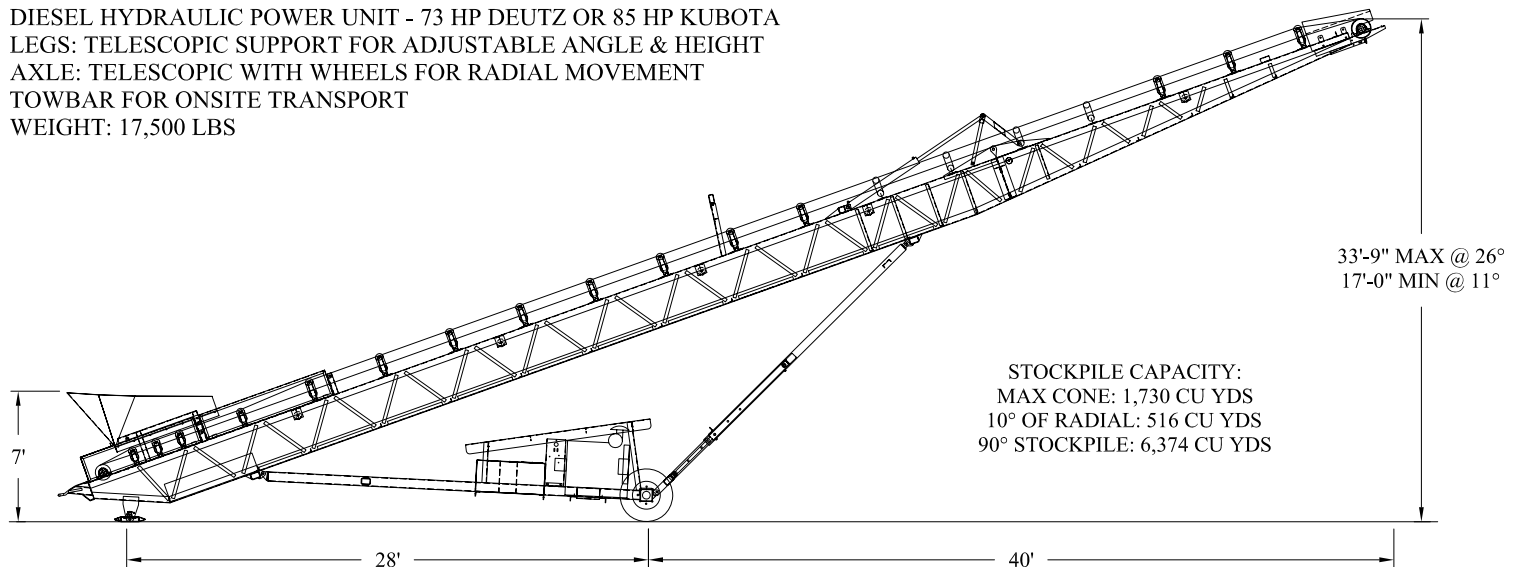
STACKER SPECIFICATIONS

CONVEYOR LENGTH: 65'-0"
TRANSPORT WIDTH: 9'-0"
BELT WIDTH: 36"
DIESEL HYDRAULIC POWER UNIT - 50 HP DEUTZ
LEGS: TELESCOPIC SUPPORT FOR ADJUSTABLE ANGLE & HEIGHT
AXLE: TELESCOPIC WITH WHEELS FOR RADIAL MOVEMENT
TOWBAR FOR ONSITE TRANSPORT
WEIGHT: 15,500 LBS



MGL 6536 RADIAL STACKER

CONVEYOR LENGTH: 74'-0"
TRANSPORT WIDTH: 10'-0"
BELT WIDTH: 36"
DIESEL HYDRAULIC POWER UNIT - 73 HP DEUTZ OR 85 HP KUBOTA
LEGS: TELESCOPIC SUPPORT FOR ADJUSTABLE ANGLE & HEIGHT
AXLE: TELESCOPIC WITH WHEELS FOR RADIAL MOVEMENT
TOWBAR FOR ONSITE TRANSPORT
WEIGHT: 17,500 LBS



MGL 7436 RADIAL STACKER



2740 Parkway Street
Lakeland, FL 33811

863-648-0320 Phone
863-648-0589 Fax

e-mail: mgleng1@aol.com
www.mglengineering.com

MGL 65' X 36" RADIAL STACKER



MGL 74' X 36" RADIAL STACKER



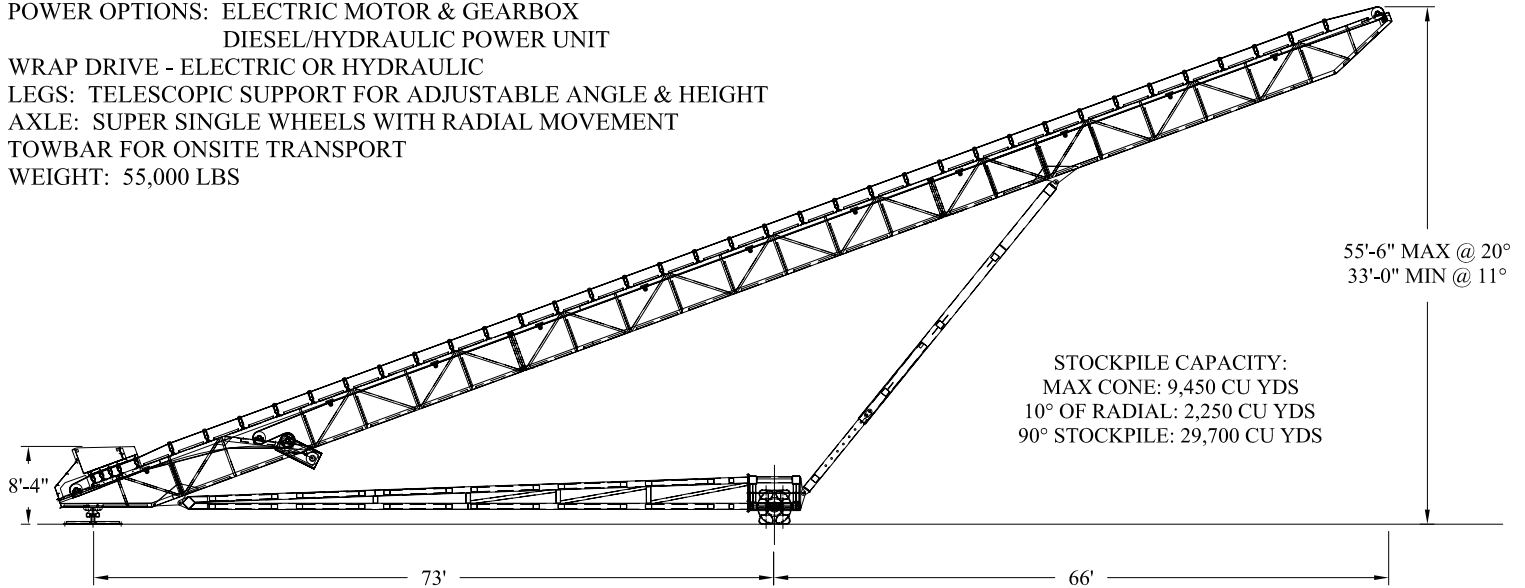
**MGL 6536 & MGL 7436
RADIAL STACKERS**

MGL 74' X 36" RADIAL STACKER



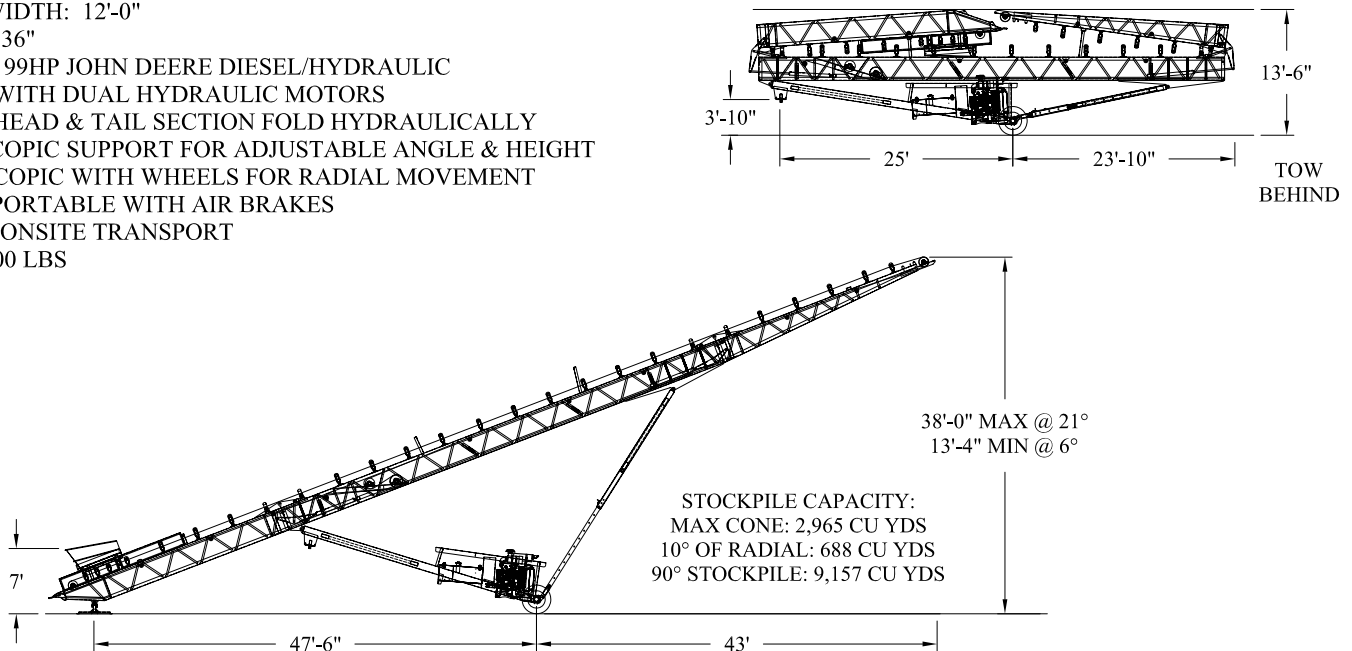
STACKER SPECIFICATIONS

CONVEYOR LENGTH: 150'-0"
 TRANSPORT WIDTH: 28'-6"
 BELT WIDTH: 36"
 POWER OPTIONS: ELECTRIC MOTOR & GEARBOX
 DIESEL/HYDRAULIC POWER UNIT
 WRAP DRIVE - ELECTRIC OR HYDRAULIC
 LEGS: TELESCOPIC SUPPORT FOR ADJUSTABLE ANGLE & HEIGHT
 AXLE: SUPER SINGLE WHEELS WITH RADIAL MOVEMENT
 TOWBAR FOR ONSITE TRANSPORT
 WEIGHT: 55,000 LBS



MGL 15036 RADIAL STACKER

CONVEYOR LENGTH: 100'-0"
 TRANSPORT WIDTH: 12'-0"
 BELT WIDTH: 36"
 POWER UNIT: 99HP JOHN DEERE DIESEL/HYDRAULIC
 WRAP DRIVE WITH DUAL HYDRAULIC MOTORS
 DUAL FOLD: HEAD & TAIL SECTION FOLD HYDRAULICALLY
 LEGS: TELESCOPIC SUPPORT FOR ADJUSTABLE ANGLE & HEIGHT
 AXLE: TELESCOPIC WITH WHEELS FOR RADIAL MOVEMENT
 ROAD TRANSPORTABLE WITH AIR BRAKES
 TOWBAR FOR ONSITE TRANSPORT
 WEIGHT: 23,500 LBS



MGL 10036DF RADIAL STACKER



2740 Parkway Street
 Lakeland, FL 33811

863-648-0320 Phone
 863-648-0589 Fax

e-mail: mgleng1@aol.com
www.mglengineering.com

**MGL 10036DF &
MGL 15036 STACKERS**

**MGL 150' x 36" RADIAL STACKER
ELECTRIC POWERED**



TOW BEHIND

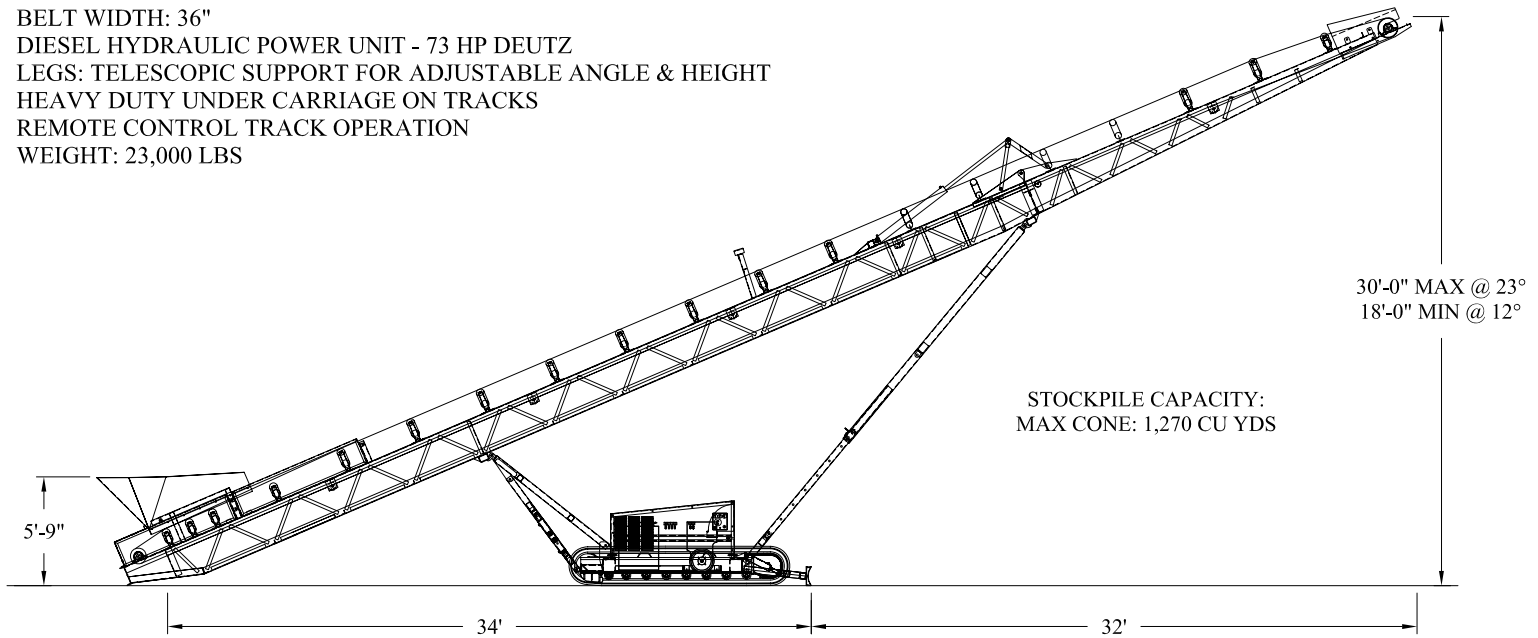


**MGL 100' x 36" DUAL FOLD STACKER
DIESEL/HYDRAULIC POWERED
ROAD TRANSPORTABLE**



TRACK CONVEYOR SPECIFICATIONS

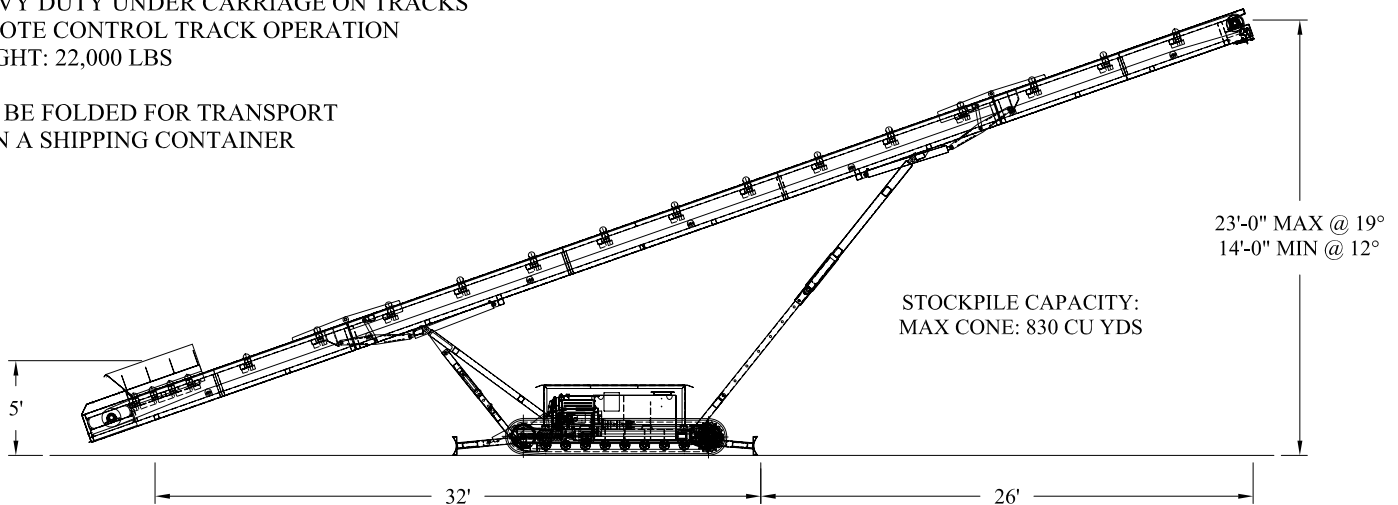
CONVEYOR LENGTH: 75'-0"
TRANSPORT WIDTH: 8'-6"
BELT WIDTH: 36"
DIESEL HYDRAULIC POWER UNIT - 73 HP DEUTZ
LEGS: TELESCOPIC SUPPORT FOR ADJUSTABLE ANGLE & HEIGHT
HEAVY DUTY UNDER CARRIAGE ON TRACKS
REMOTE CONTROL TRACK OPERATION
WEIGHT: 23,000 LBS



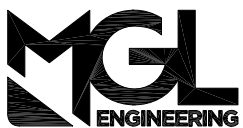
MGL 7536T TRACK CONVEYOR

CONVEYOR LENGTH: 65'-0"
TRANSPORT WIDTH: 7'-4"
BELT WIDTH: 42"
DIESEL HYDRAULIC POWER UNIT - 61 HP DEUTZ
LEGS: TELESCOPIC SUPPORT FOR ADJUSTABLE ANGLE & HEIGHT
HEAVY DUTY UNDER CARRIAGE ON TRACKS
REMOTE CONTROL TRACK OPERATION
WEIGHT: 22,000 LBS

CAN BE FOLDED FOR TRANSPORT
IN A SHIPPING CONTAINER



MGL 6542T TRACK CONVEYOR



2740 Parkway Street
Lakeland, FL 33811

863-648-0320 Phone
863-648-0589 Fax

e-mail: mgleng1@aol.com
www.mglengineering.com

MGL 74' X 36"
TRACK CONVEYOR



**MGL TRACK
CONVEYORS**

MGL 65' X 42" TRACK CONVEYOR

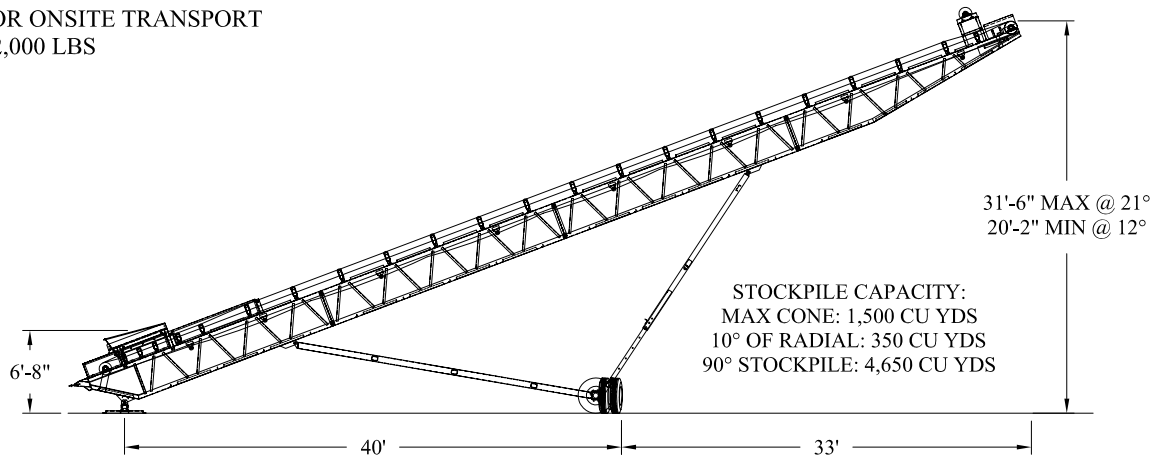


Folded for transport
in shipping container



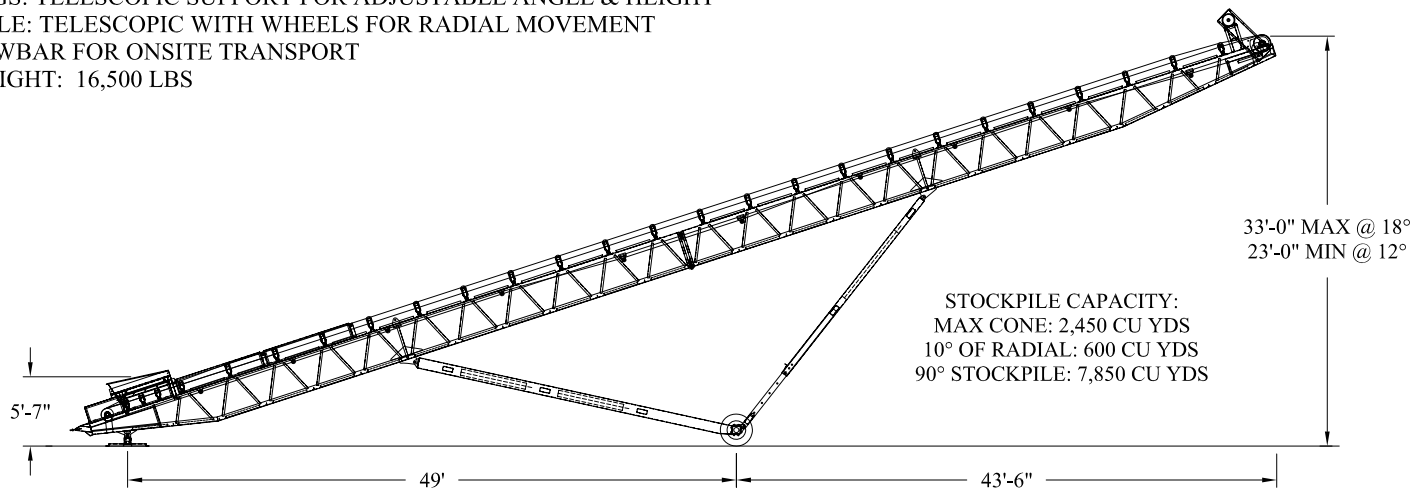
KIT CONVEYOR SPECIFICATIONS

CONVEYOR LENGTH: 80'-0"
TRANSPORT WIDTH: 14'-0"
BELT WIDTH: 30"
POWER OPTIONS: 20hp ELECTRIC MOTOR + 515 GEARBOX
DIESEL/HYDRAULIC POWER UNIT
HYDRAULIC COUPLING
LEGS: TELESCOPIC SUPPORT FOR ADJUSTABLE ANGLE & HEIGHT
AXLE: TELESCOPIC WITH WHEELS FOR RADIAL MOVEMENT
TOWBAR FOR ONSITE TRANSPORT
WEIGHT: 12,000 LBS



MGL 8030 KIT CONVEYOR

CONVEYOR LENGTH: 100'-0"
TRANSPORT WIDTH: 14'-0"
BELT WIDTH: 30"
POWER OPTIONS: 20hp ELECTRIC MOTOR + 515 GEARBOX
DIESEL/HYDRAULIC POWER UNIT
HYDRAULIC COUPLING
LEGS: TELESCOPIC SUPPORT FOR ADJUSTABLE ANGLE & HEIGHT
AXLE: TELESCOPIC WITH WHEELS FOR RADIAL MOVEMENT
TOWBAR FOR ONSITE TRANSPORT
WEIGHT: 16,500 LBS



MGL 10030 KIT CONVEYOR



2740 Parkway Street
Lakeland, FL 33811

863-648-0320 Phone
863-648-0589 Fax

e-mail: mgleng1@aol.com
www.mglengineering.com

**MGL 100' X 36" KIT CONVEYOR
DIESEL/HYDRAULIC POWERED**



**MGL 100' X 30" KIT CONVEYOR
ELECTRIC POWERED**



**MGL KIT
CONVEYORS**

MGL 100' X 30" KIT CONVEYORS



**MGL CUSTOM
CONVEYORS**



**MGL 90' X 36" RADIAL STACKER
WITH DIRECT FEED HOPPER
DIESEL/HYDRAULIC POWER UNIT**



**MGL 65' X 42" TRANSFER CONVEYOR
WITH SURGE HOPPER
BARGE UNLOADING SYSTEM**



2740 Parkway Street
Lakeland, FL 33811

863-648-0320 Phone
863-648-0589 Fax

e-mail: mgleng1@aol.com

www.mglengineering.com